

# Slatted Acoustic Panel installation



Two recommended installation methods that can be used for walls and ceilings are:

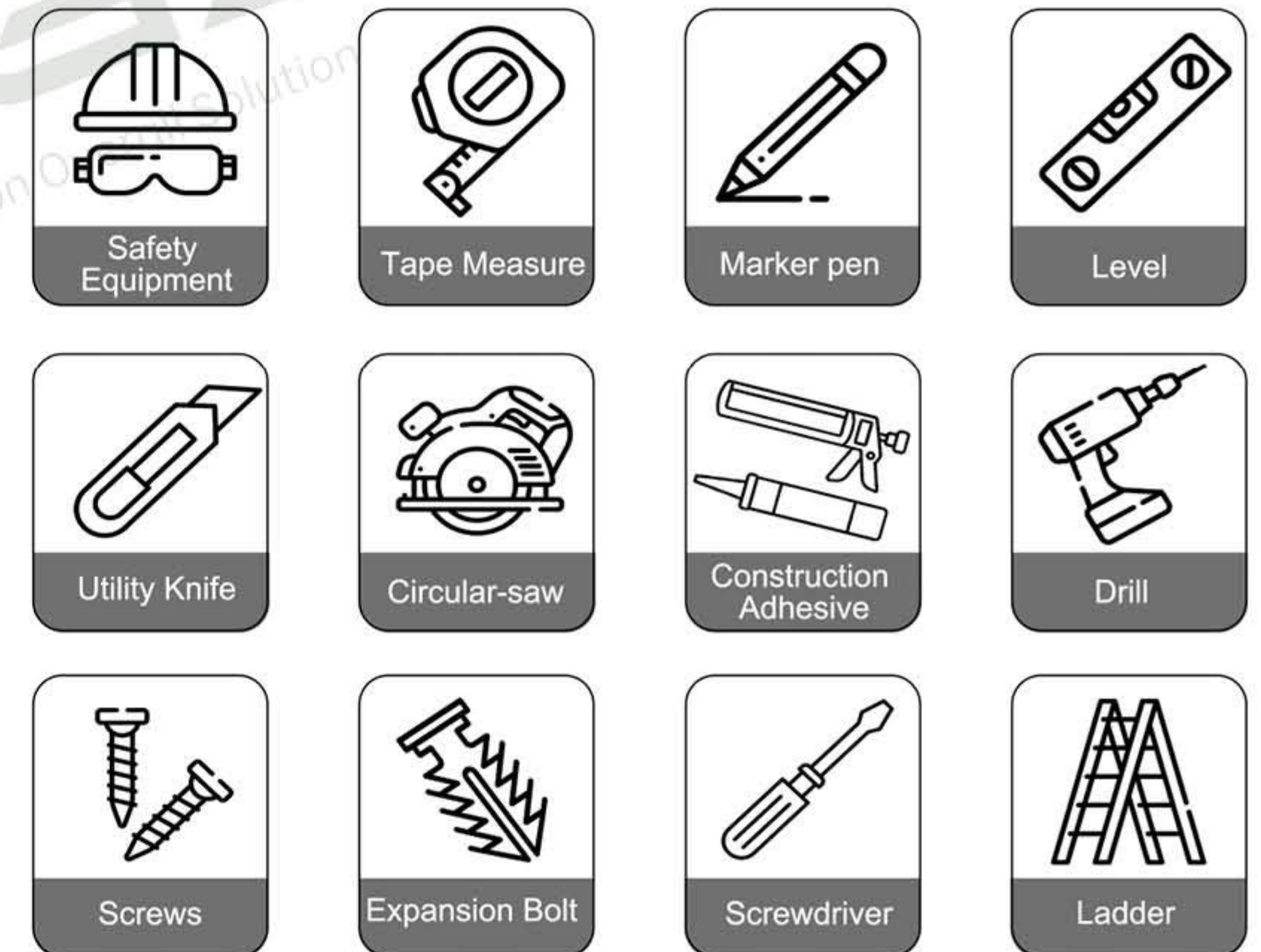
## 1. Direct Glue Method:

This method involves applying a layer of adhesive directly onto the wall or ceiling surface and then affixing the sound-absorbing or sound-insulating materials to it. It's a simple and quick process that works well for both new constructions and retrofits.

## 2. Mechanical Fastening Method:

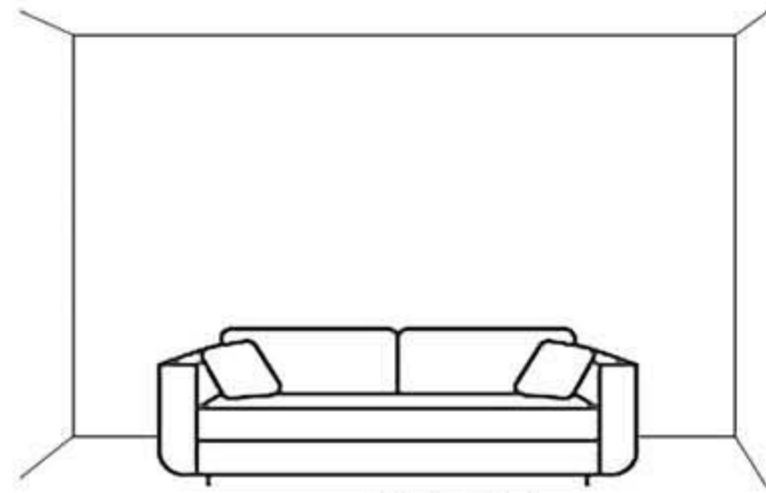
This method uses mechanical fasteners such as screws, nails, or clips to secure the materials to the wall or ceiling. It provides a more robust attachment and is particularly useful when dealing with heavier materials or when a higher level of security is required.

### Tools Required:



# Slatted Acoustic Panel Installation

## 1. Direct Glue Method:



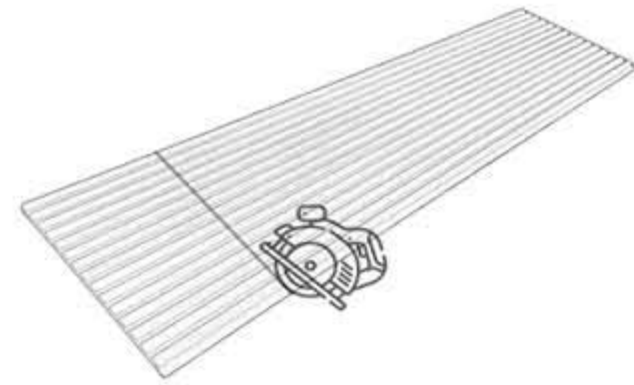
### STEP 1

Select the Wall for Installation



### STEP 2

Measure the wall and mark on the slat wood panel



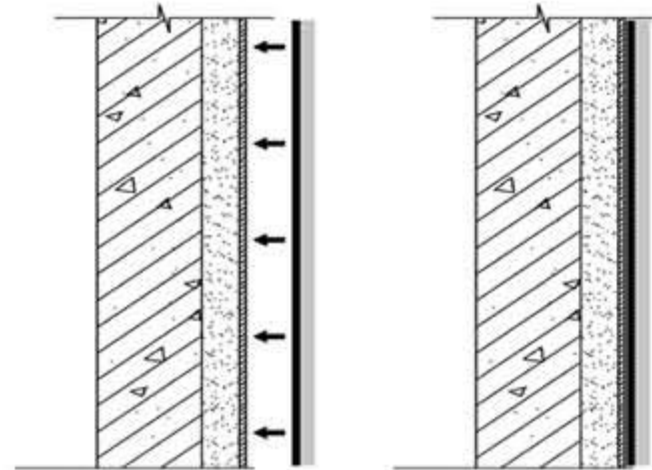
### STEP 3

Cut the Slat wood panel



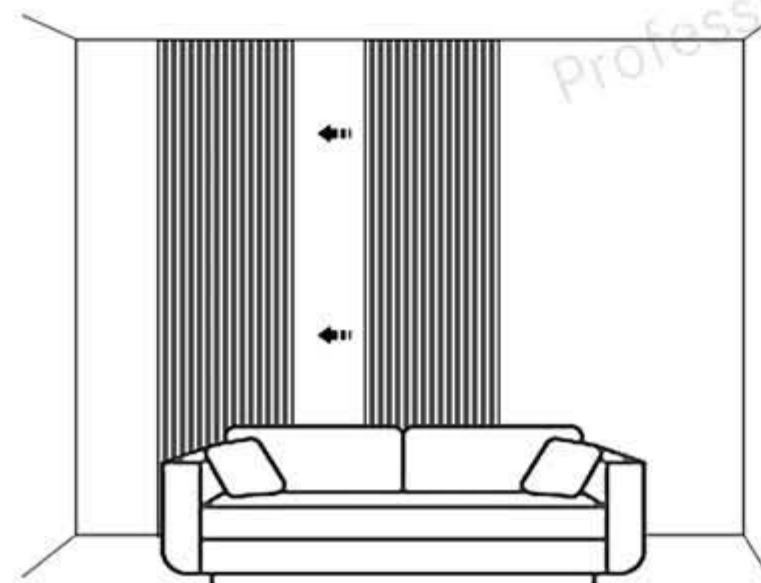
### STEP 4

Apply glue evenly to the back of the slat wood panel



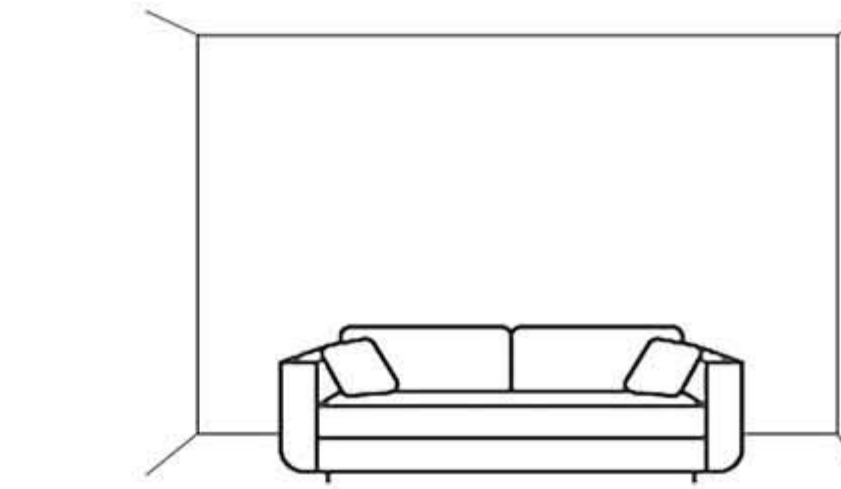
### STEP 5

Attach the slat wood panel with the glue applied to the back to the wall



### STEP 6

Sequentially join and paste the subsequent slats onto the wall



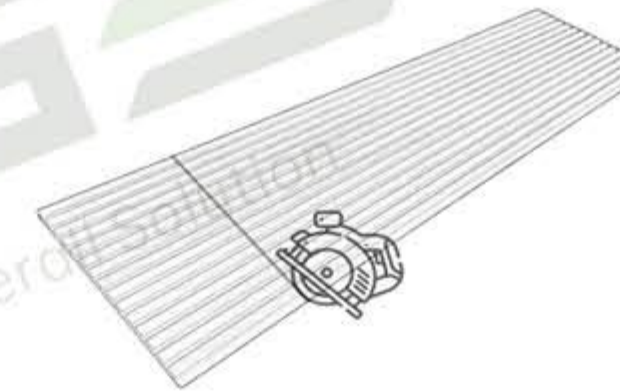
### STEP 1

Select the Wall for Installation



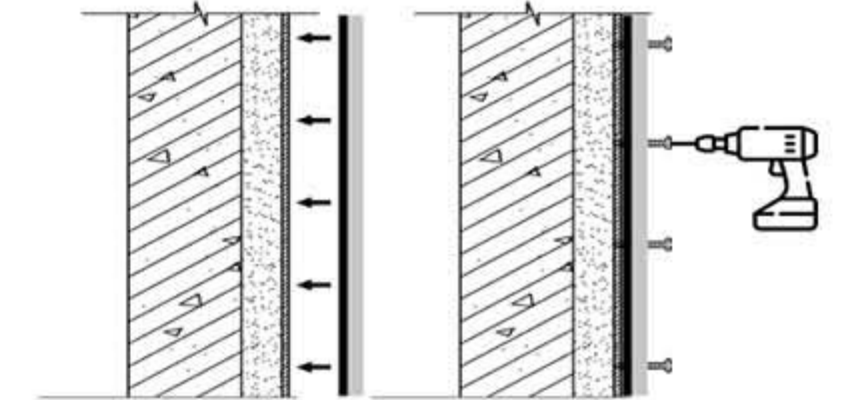
### STEP 2

Measure the wall and mark on the slat wood panel



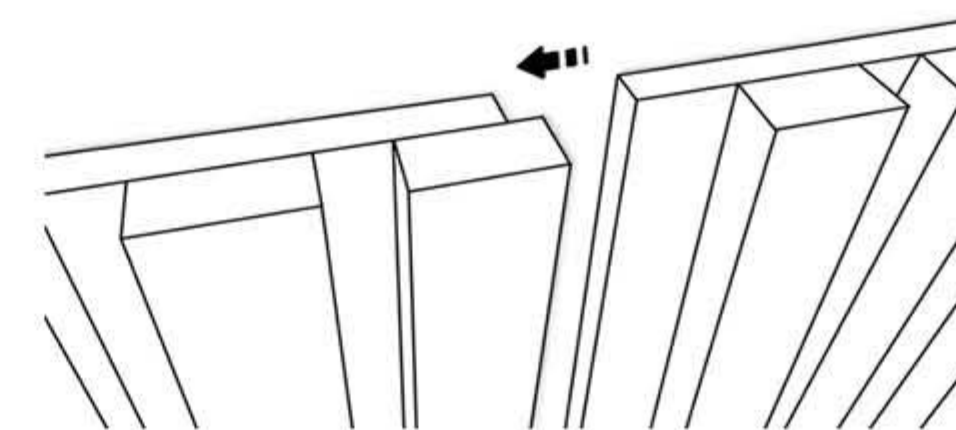
### STEP 3

Cut the Slat wood panel



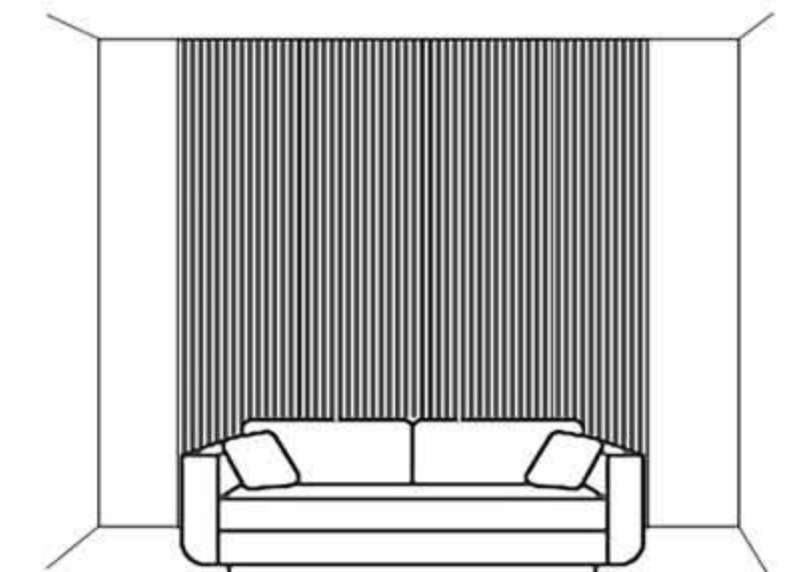
### STEP 4

Affix the slats to the wall and fasten them with screws



### STEP 5

Join the subsequent slats together and fix them to the wall



### STEP 6

Complete your project and admire your work !