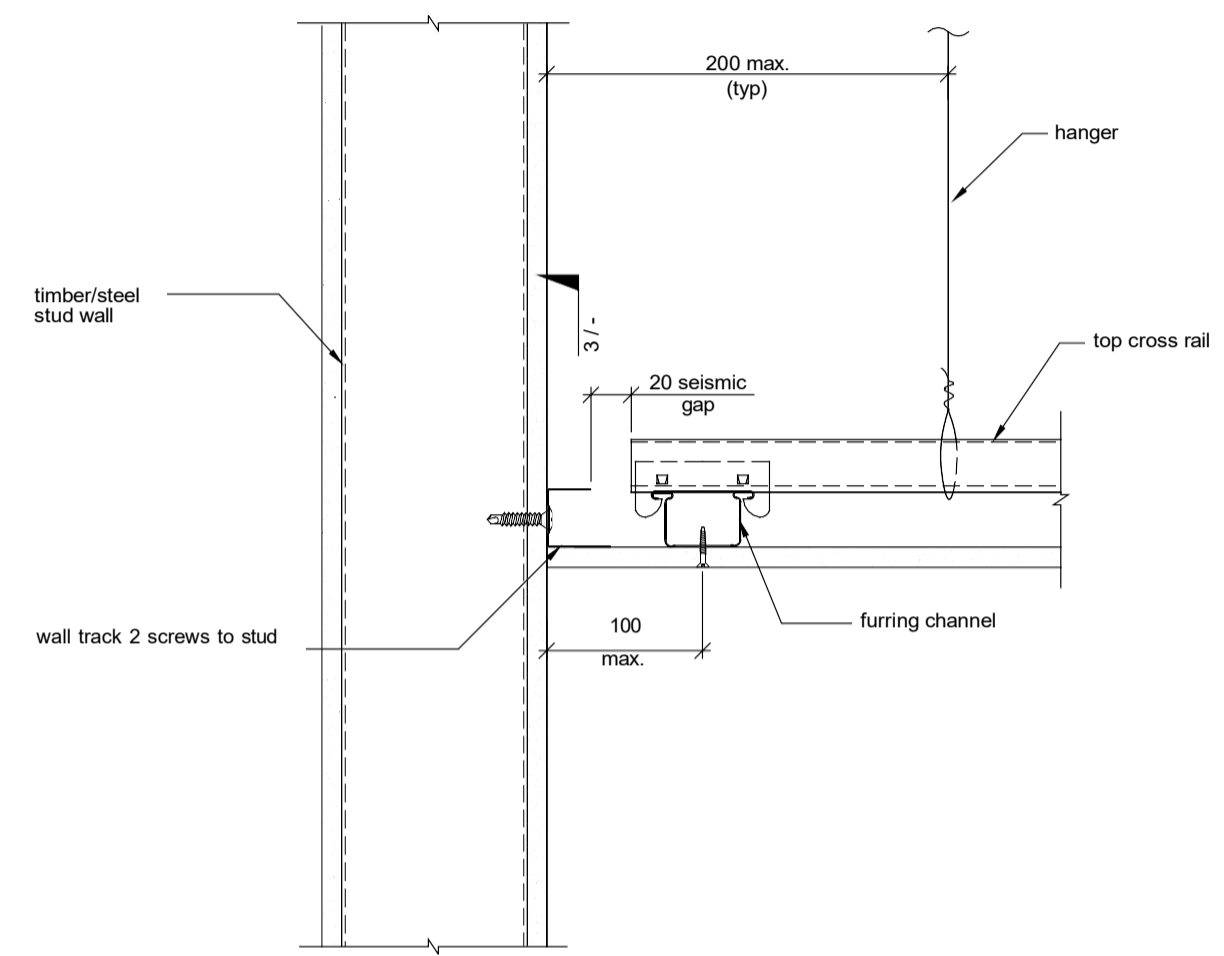
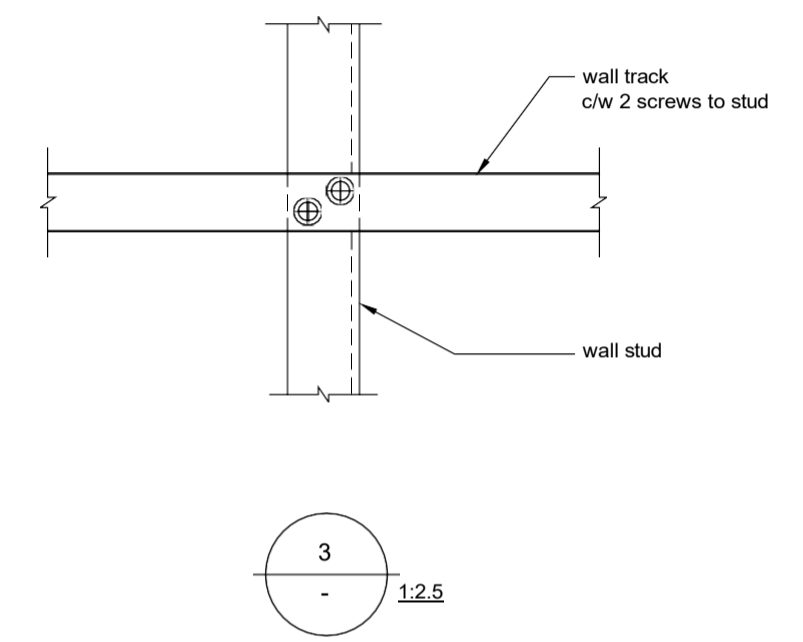


1 FIXED JOINT
- 1:2.5



2 FREE JOINT
- 1:2.5



3
- 1:2.5



Client:
ECOPLUS SYSTEMS LTD.

Project:
ECOPLUS TYPICAL DETAIL

Drawing Title:
**WALL CONNECTIONS
CONCEALED GRID DETAILS**

Scale (A1): 1:2.5			
Scale (A3): 1:5			
Dwn By: AC	No.	Revision	By Date
Engineer: AK	18830	S2-1	A