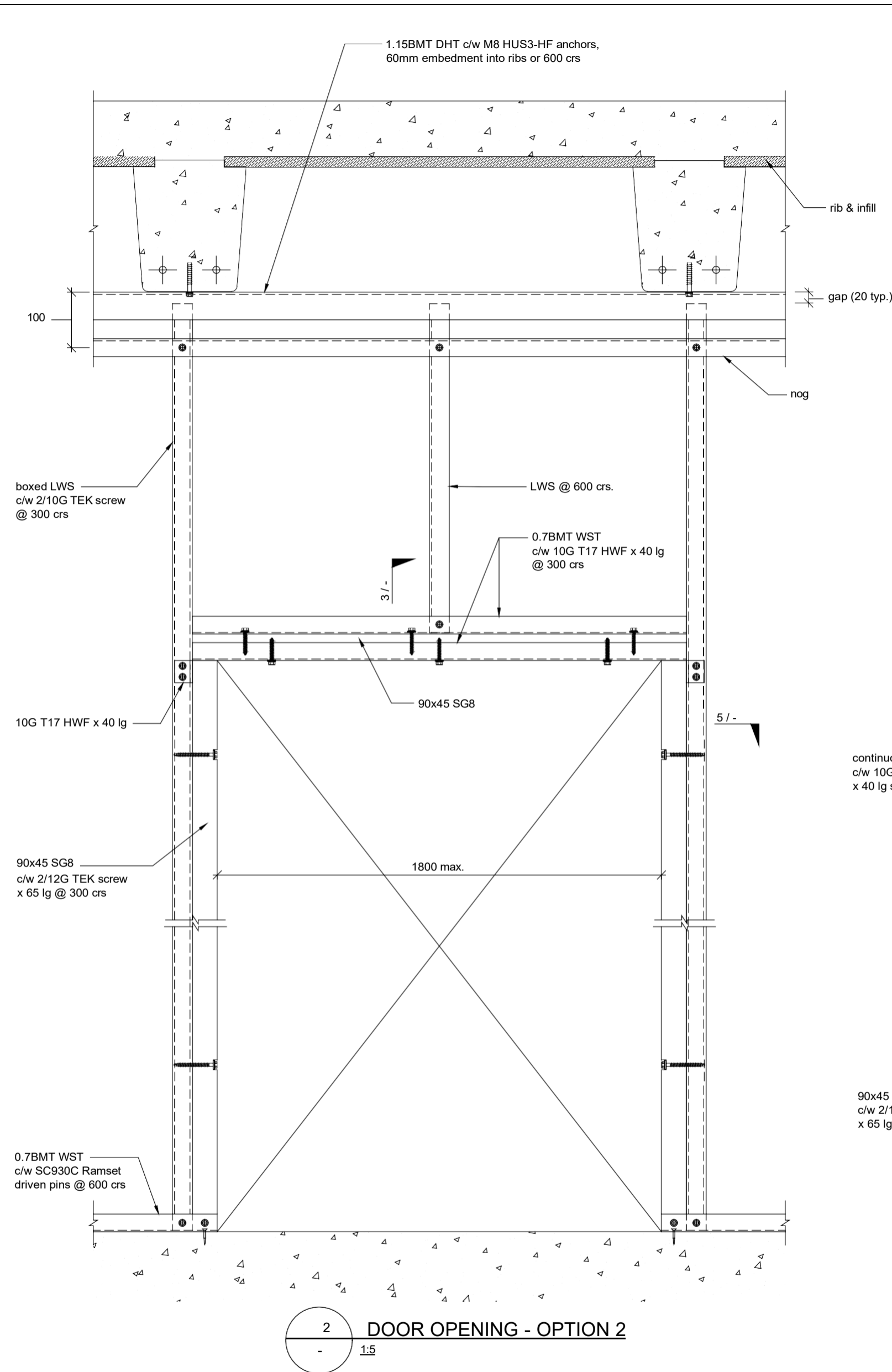
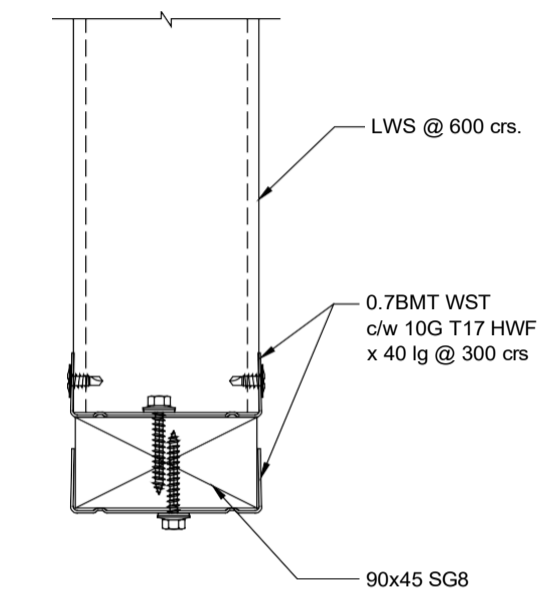


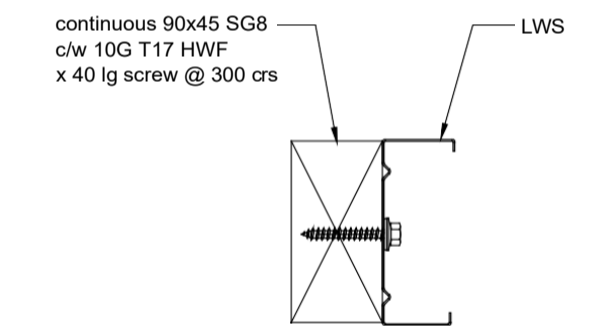
1 DOOR OPENING - OPTION 1
1:5



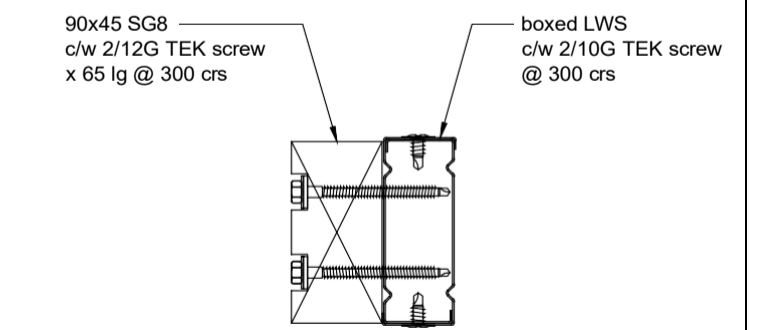
2 DOOR OPENING - OPTION 2
1:5



3 SECTION
1:2.5



4 SECTION
1:2.5



5 SECTION
1:2.5



Client: ECOPLUS SYSTEMS LTD.

Project: ECOPLUS TYPICAL DETAIL

Drawing Title: STANDARD DOOR OPENING DETAILS

| | | | |
|----------------------|---------------|------------------|-------------|
| Scale (A1): AS SHOWN | | | |
| Scale (A3): | A | FOR INFORMATION | AC 15.07.19 |
| Dwn By: AC | No. | Revision | By Date |
| Engineer: AK | Job No. 18830 | Drawing No. S1-8 | Revision A |